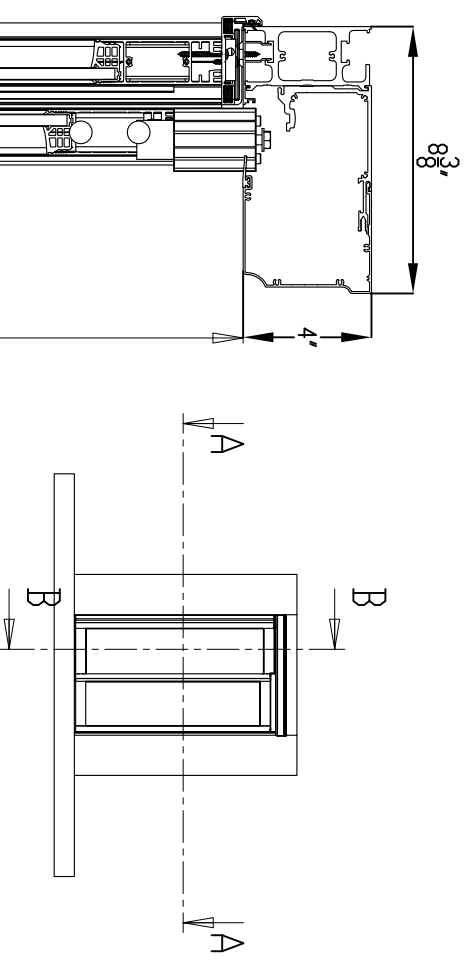


CUT A-A
SCALE 1 : 2



CUT B-B
SCALE 1 : 4

Rev	A	Date	19/12/2007	Modification			ENSEMBLE PROFIL BATTU FORMULES		Checked by	TJM
Scale	1:50	Format / Size	A3	Drawn By	TOUGNET JM	Title		Modifier/Chk'd By		
Date	27/12/2007	Material			API38 BETWEEN WALL APPLICATION TINA					
Tolerances			/			Fiche :			Pin / Dwg N°	PE 5803 / A
Observation / Comment			/			5803-A PE SOLUTION DDC API38 S ENTRE MURS LINT TINA			Ind/Rev	



Code Article

PIN P