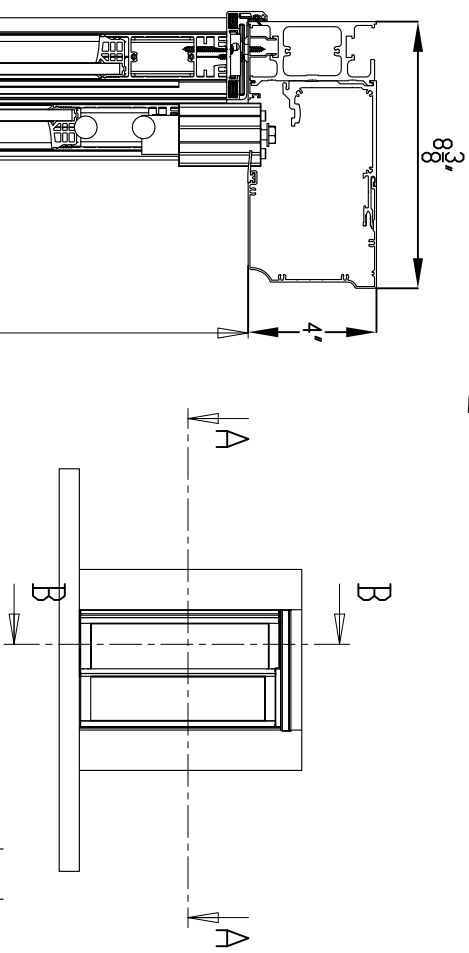


CUT A-A
SCALE 1 : 2



CUT B-B
SCALE 1 : 4

Rev	A	Date	19/12/2007	Modification	ENSEMBLE PROFIL BATTU FORMULES			Checked by	TJM
Date				Scale	1:50	Format / Size	A3	Drawn By	TOGNET JM
Material	/	Date	27/12/2007	Title	API38 BETWEEN WALL APPLICATION TINA				
Tolerances	/							Code Article	/
Observation / Comment	/			Fiche :	5803-A PE SOLUTION DDC API38 S ENTRE MURS LINT TINA				
				Plan / Dwg N°	PE 5803 / A				
				Ind/Rev					

