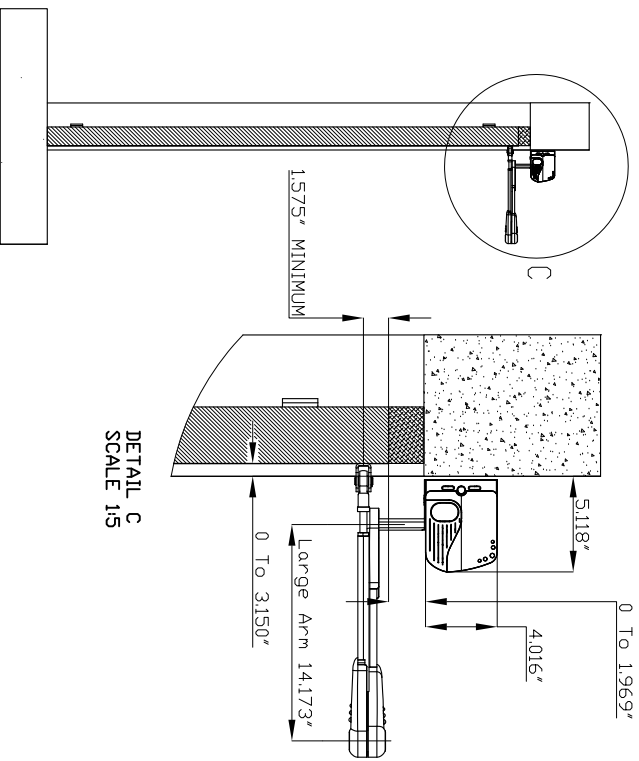
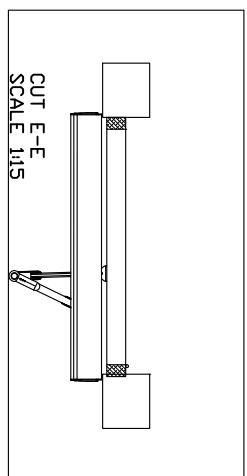


DETAIL B
SCALE 1:5
HINGE AXIS
9.843'
1.575'

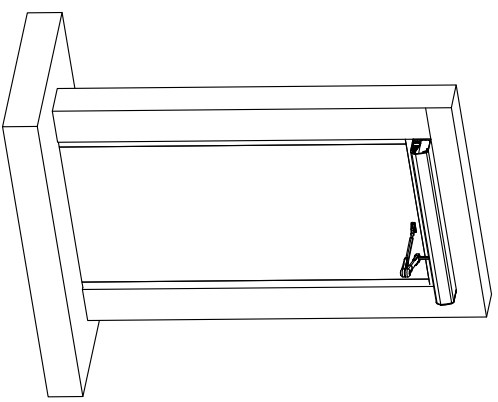


DETAIL C
SCALE 1:5
1.575' MINIMUM
5.118'
4.016'
0 TO 1.969'
Large Arm 14.173'

CUT A-A
SCALE 1:5



CUT E-E
SCALE 1:5



Rev	Date	Modification	Format / Size	Drawn by	Checked by
1	29/05/2008	Scale 1:20	A2	TUCNET JM	PIN P
Date		Title			
29/05/2008		SINGLE SWINGING DOOR ISD SOLUTION			
Material					
/					
References					
/					
Comment		File:			
/		5790-PE SINGLE SWINGING DOOR ISD SOLUTION			
		Code Article			
		/			
		Plan / Ding N°			
		PD 5790 / -			
		Ind/Rev			
		-			

